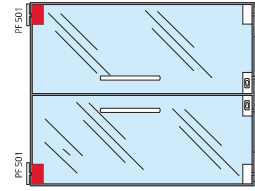
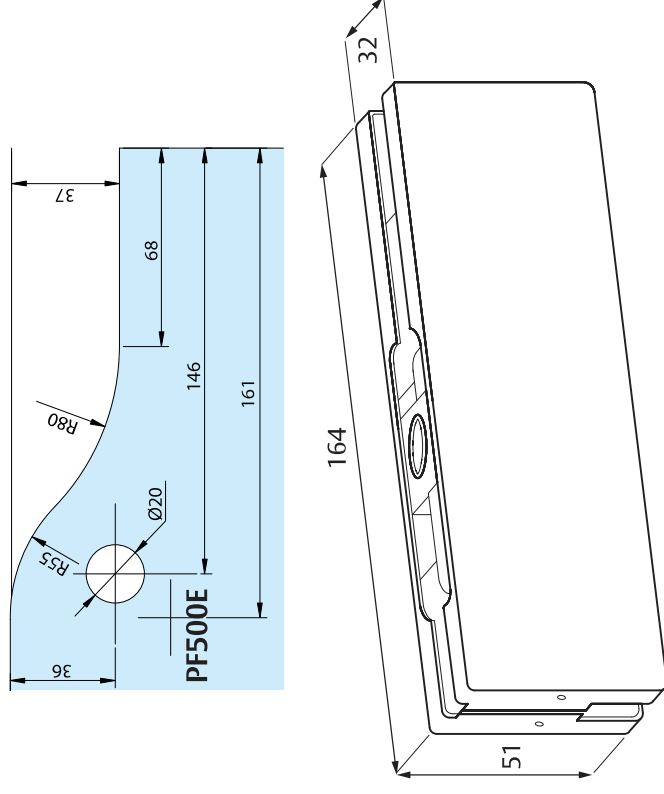
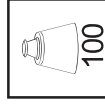
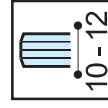


- Axis of rotation, 65 mm

PF501



Références / References



Penture haute
Top Patch fitting



Inox Brossé
Brushed stainless steel



Inox poli
Polished stainless steel

PF501.15

PF501.16

- Axe de rotation à 65 mm
- Axis of rotation 65 mm